



Creating balance in healthcare



Tango XL Shower-toilet chair



5100 5705

Tango XL Shower-toilet chair



5100 5705

Tango XL Shower-toilet chair

The Tango XL Shower-toilet chair by Lopital is a shower aid to assist in the responsible care and washing of patients and residents. The comfort provided by the Tango XL is optimal for both the caregiver and the client.

The Tango XL can also be used over a toilet. The many possibilities and the beautiful design of the Tango XL, make the chair an attractive and user-friendly product.

- Maximum load 250 kg / 550 lbs.
- Mobile.
- Extra wide foldable armrests.
- 4 plastic castors with brakes, 1 directional wheel.
- Two-piece upholstered seat with toilet opening.
- Rail for toilet bucket or bedpan.
- Swing-out and removable footrests. Height adjustable.
- Can be wheeled over the toilet.

Opties

- Product no. 6950 1104 Plastic bedpan and lid.
- Product no. 6975 8044 Safety belt.
- Product no. 6960 8026 Adjustable comfort leg supports.
- Product no. 6975 8045 Four point safety belt.
- Product no. 7500 5693 Raising set 10 t/m 30 mm.



Tango XL with comfort leg supports.



Suitable for people with a mild to moderate disability



Two parted seat with front and back openings. Easy removable snaplock seat.



Foldable armrests.



Directional wheel



Swing-out and removable footrests. Height adjustable.



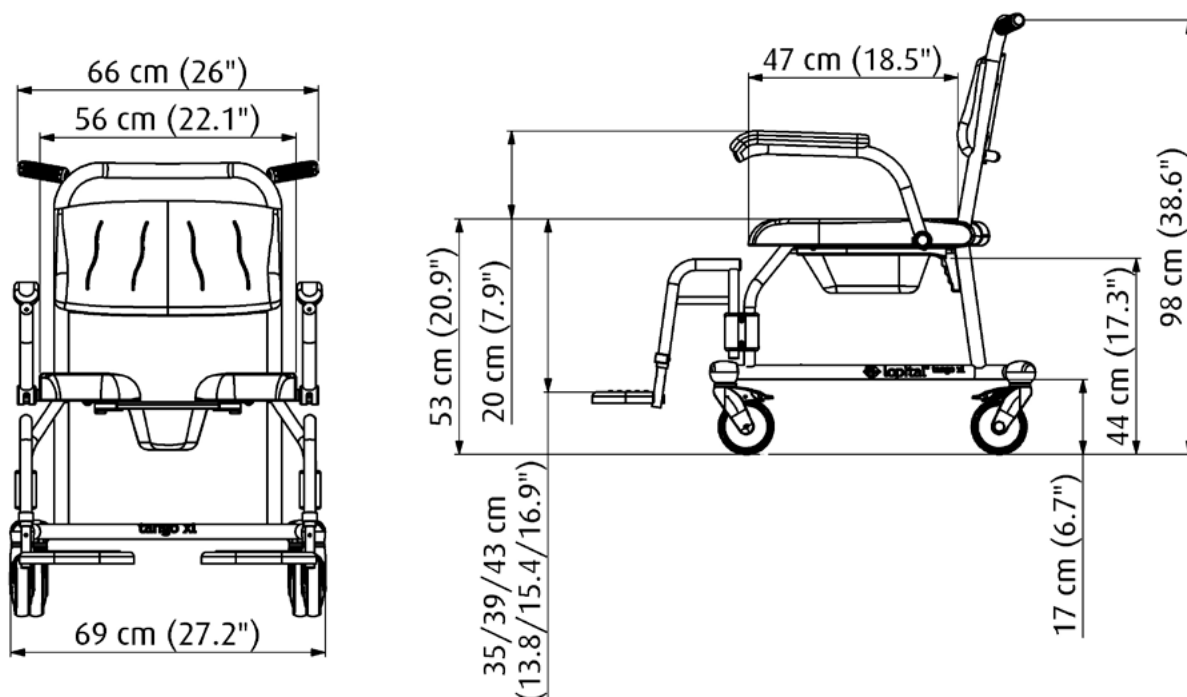
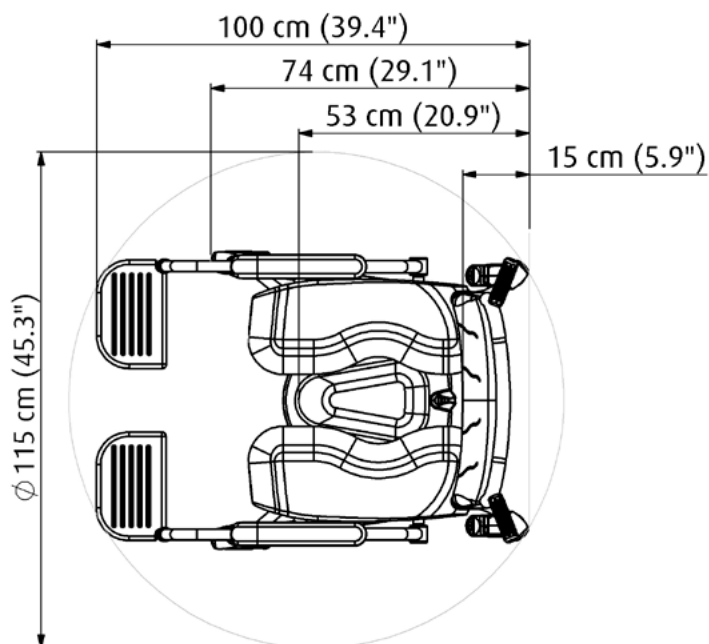
Option: Product no. 7500 5693
Raising set 10 t/m 30 mm.



Option: Product no. 6960 8026 Adjustable comfort leg supports.

Technical specifications

• Max. load	250 kg / 550 lbs	• Seat height	53 cm / 20.9 inch
• Product weight	24 kg / 52.9 lbs	• Total length base frame	100 cm / 39.4 inch
• Seat width	56 cm / 22.0 inch	• Total width base frame	69 cm / 27.2 inch
• Seat depth	47 cm / 18.5 inch	• Turning radius	115 cm / 45.3 inch



For more information, visit our website: www.lopital.com

Lopital Nederland B.V., Laarakkerweg 9, 5061 JR Oisterwijk, Postbus 56, 5060 AB Oisterwijk
 Tel +31 (0)13 5239300, Fax +31 (0)13 5239301, E-mail info@lopital.nl, www.lopital.nl





Creating balance in healthcare



Tango XXL Shower-toilet chair



5100 5800

Tango XXL Shower-toilet chair



5100 5800

Tango XXL Shower-toilet chair

The Lopital Tango XXL is a shower-toilet chair providing obese clients care in a responsible manner.

The Tango provides optimum comfort for the caregiver as well as the client.

The Tango XXL can be used as a showerchair as well as a toiletchair that can be wheeled over the toilet. The extra seat width and depth and the attractive design makes the Tango XXL chair a nice looking and user-friendly product caring for obese clients.

The ergonomic shaped backrest and seat provide comfort and security. The extended armrests can fold away completely. The large comfortable footrests including the calf support can be swiveled or removed. Because of that it is easy to sit down or stand up.

- Maximum load 360 kg / 800 lbs.
- Mobile.
- 3 plastic castors fitted with brakes.
- 1 direction wheel.
- Rail for bedpan or toilet bucket.
- Extended and fully foldable armrests.
- Two-piece seat opened at two sides.
- Swing-out and removable footrests. Height adjustable.

Options

- Product no. 6950 1104 Plastic bedpan and lid.
- Product no. 6975 8044 Safety belt.
- Product no. 6975 8045 Four point safety belt.





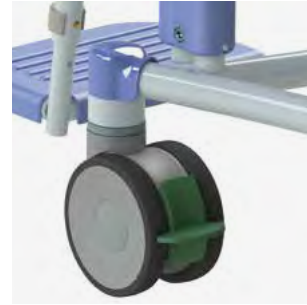
Suitable for people with a mild to moderate disability



Two parted seat with front and back openings. Easy removable snaplock seat.



Independent, foldable armrests.



Direction wheel.

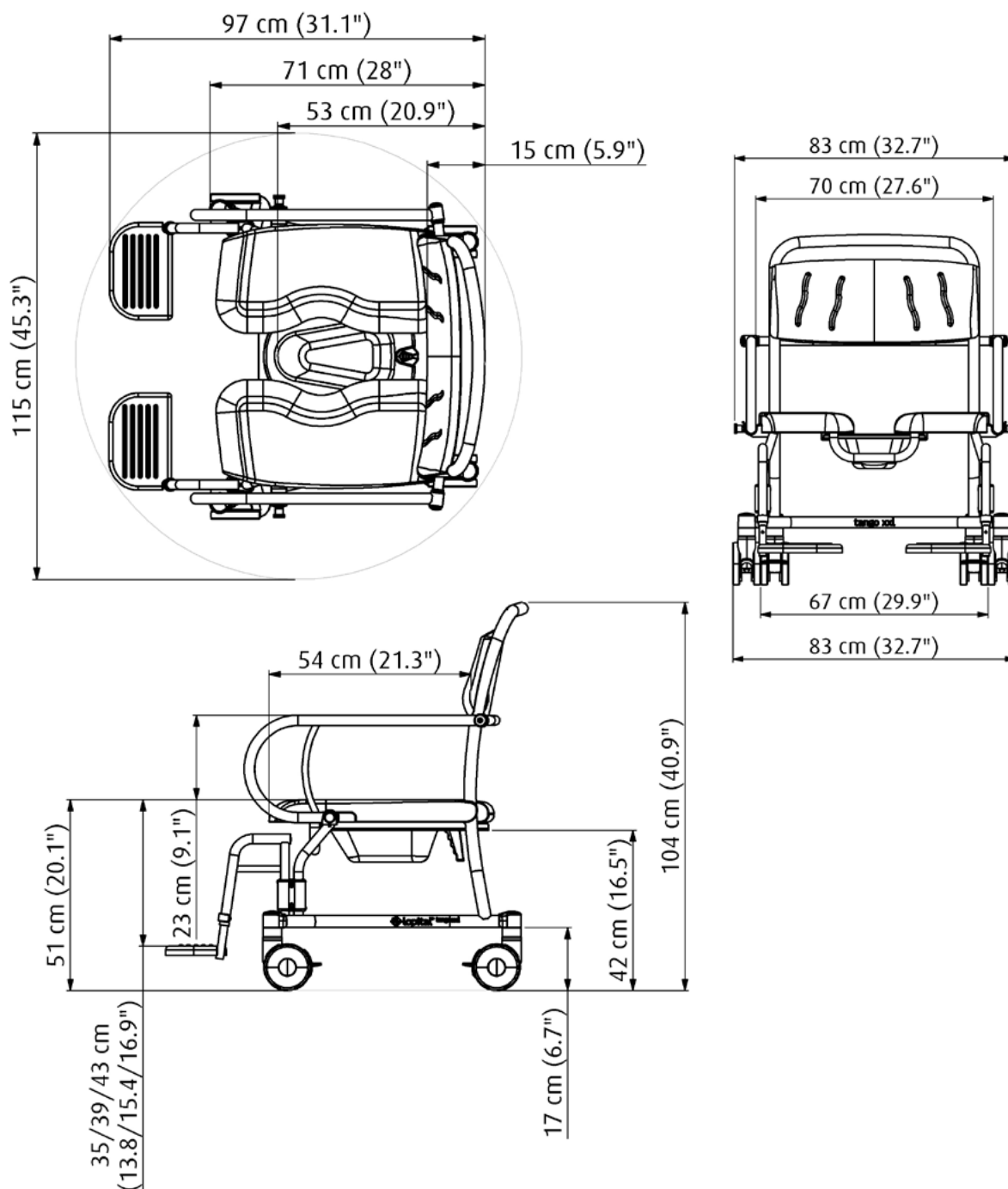


Swing-out and removable footrests. Height adjustable.



Technical specifications

- | | | | |
|------------------|-------------------|---------------------------|--------------------|
| • Max. load | 360 kg / 800 lbs | • Seat height | 51 cm / 20.1 inch |
| • Product weight | 31 kg / 68.3 lbs | • Total length base frame | 97 cm / 31.1 inch |
| • Seat width | 70 cm / 27.6 inch | • Total width base frame | 83 cm / 32.7 inch |
| • Seat depth | 54 cm / 21.3 | • Turning radius | 115 cm / 45.3 inch |



For more information, visit our website: www.lopital.com

Lopital Nederland B.V., Laarakkerweg 9, 5061 JR Oisterwijk, Postbus 56, 5060 AB Oisterwijk
 Tel +31 (0)13 5239300, Fax +31 (0)13 5239301, E-mail info@lopital.nl, www.lopital.nl





LISCLARE™



Elexo XXL Shower-toilet chair



5100 5300

Eleexo XXL Shower-toilet chair

5100 5300

Eleexo XXL Shower-toilet chair high / low

Caring for Bariatric clients with traditional shower-toilet chairs is heavy work. Care staff are obliged to work in unnatural postures and suffer from static back strain. Lopital offers relief with the height-adjustable Eleexo XXL shower-toilet chair.

The electric height-adjustability ensures that the seat reaches a maximum tilting angle of 17 degree when at its maximum height, thereby creating the optimum seating balance for the client / resident.

The Eleexo XXL provides comfort with the ergonomically shaped seat, calf support and foldable extended armrests.



Characteristics

- Simple electric high / low adjustment Manual operation with battery indicator.
- Tilt adjustment to a maximum of 17 degree.
- 3 plastic castors fitted with brakes.
- 1 direction Wheel.
- Extremely stable due to the fitting of 2 lifting motors.
- Rail for toilet bucket or bedpan.
- With sleep mode setting after 60 minutes.
- Simple to recharge with charger included.
- Folding and extended armrests.
- In 2 parts seat with toilet opening.
- Ergonomic calf support.
- Swivelling and detachable footrests.



Optional

- In height and depth adjustable headrest



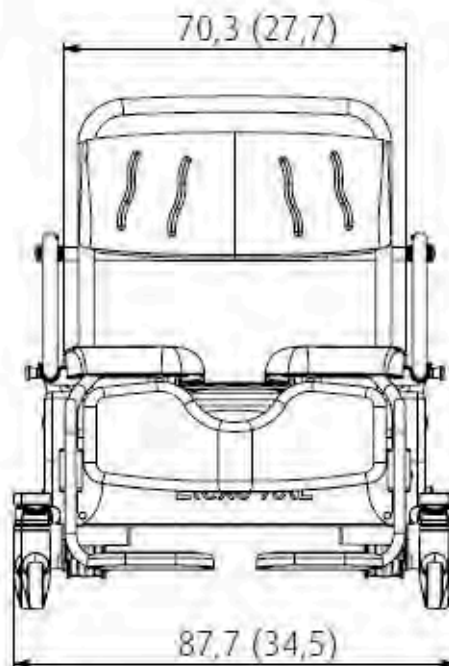
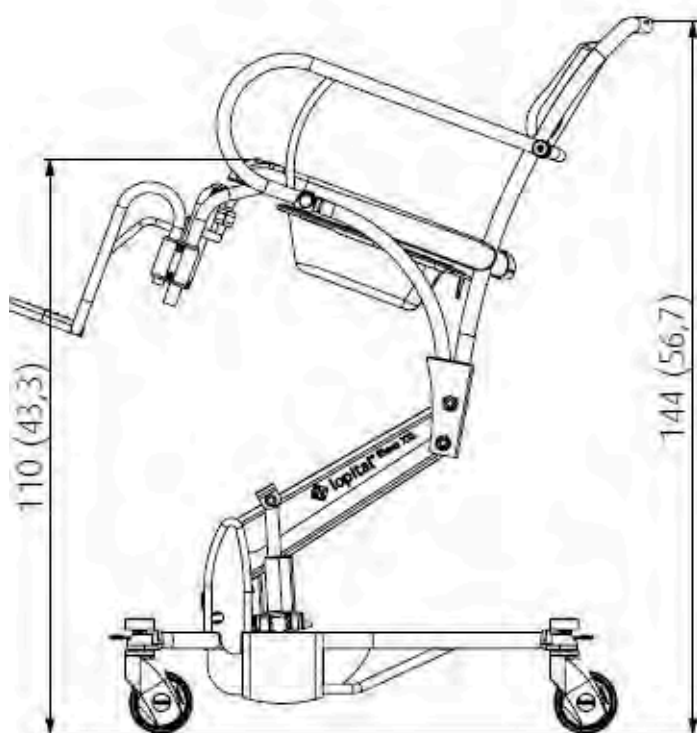
Technical specifications

Max. load:	220 kilo / 484 lb
Own weight;	75 kilo / 165lb
Wedge setting:	17°
Adjustable seat height:	51-110 cm / 20-43.3 inch
Seat width:	70.3 cm / 27.7 inch
Seat depth:	60 cm / 23.5 inch
Battery capacity:	2x 12V, 7.2Ah
Charger:	220V 50 / 60Hz 500mA
Electrical power:	24V
Max. current:	10A
Max. power:	240 Watt
Security	- on c/ off swithc - emergency stop - emergency lowering

5100 5300

Elexo XXL Shower-toilet chair

Dimensions in CM (inch)



For more information, visit our website: www.lisclare.com

Tel +44 (0)151 495 5750, Fax +44 (0)151 257 7199,

E-mail customerservice@lisclare.com, www.lisclare.com

